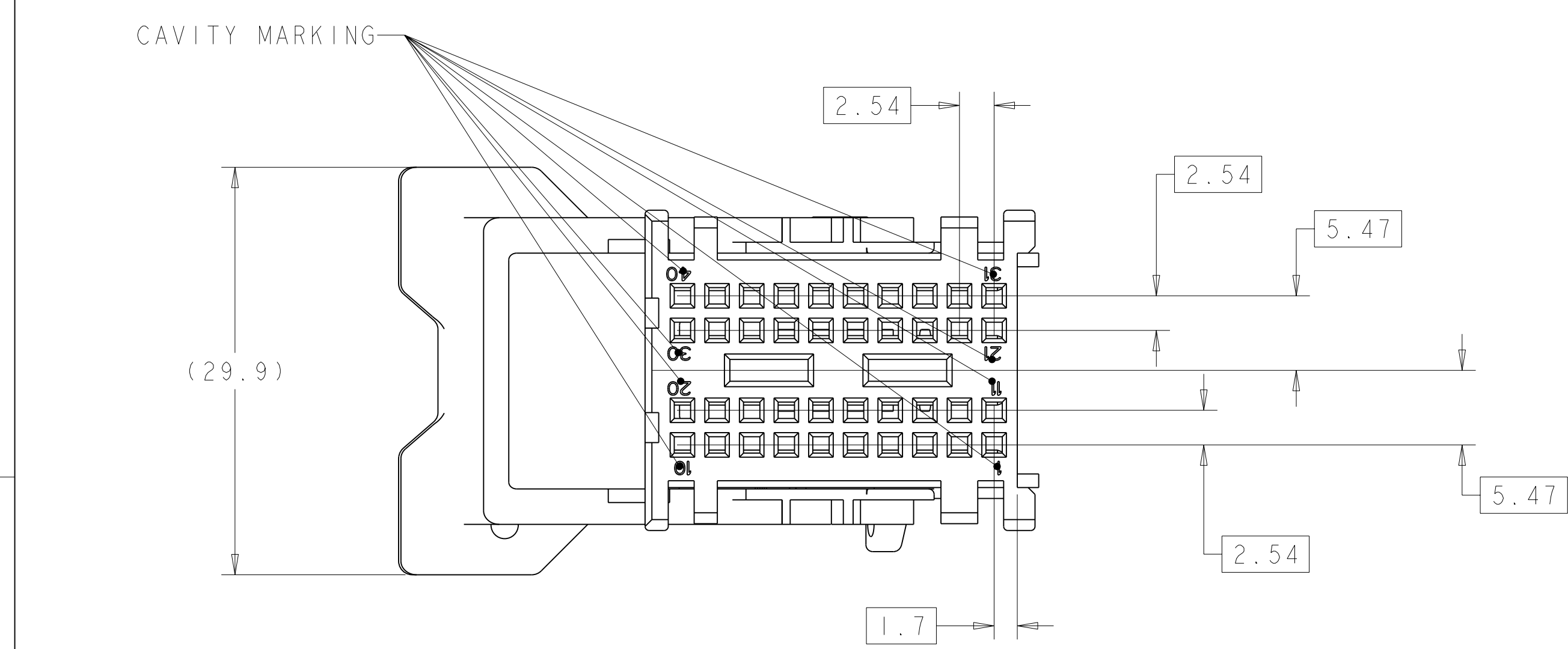
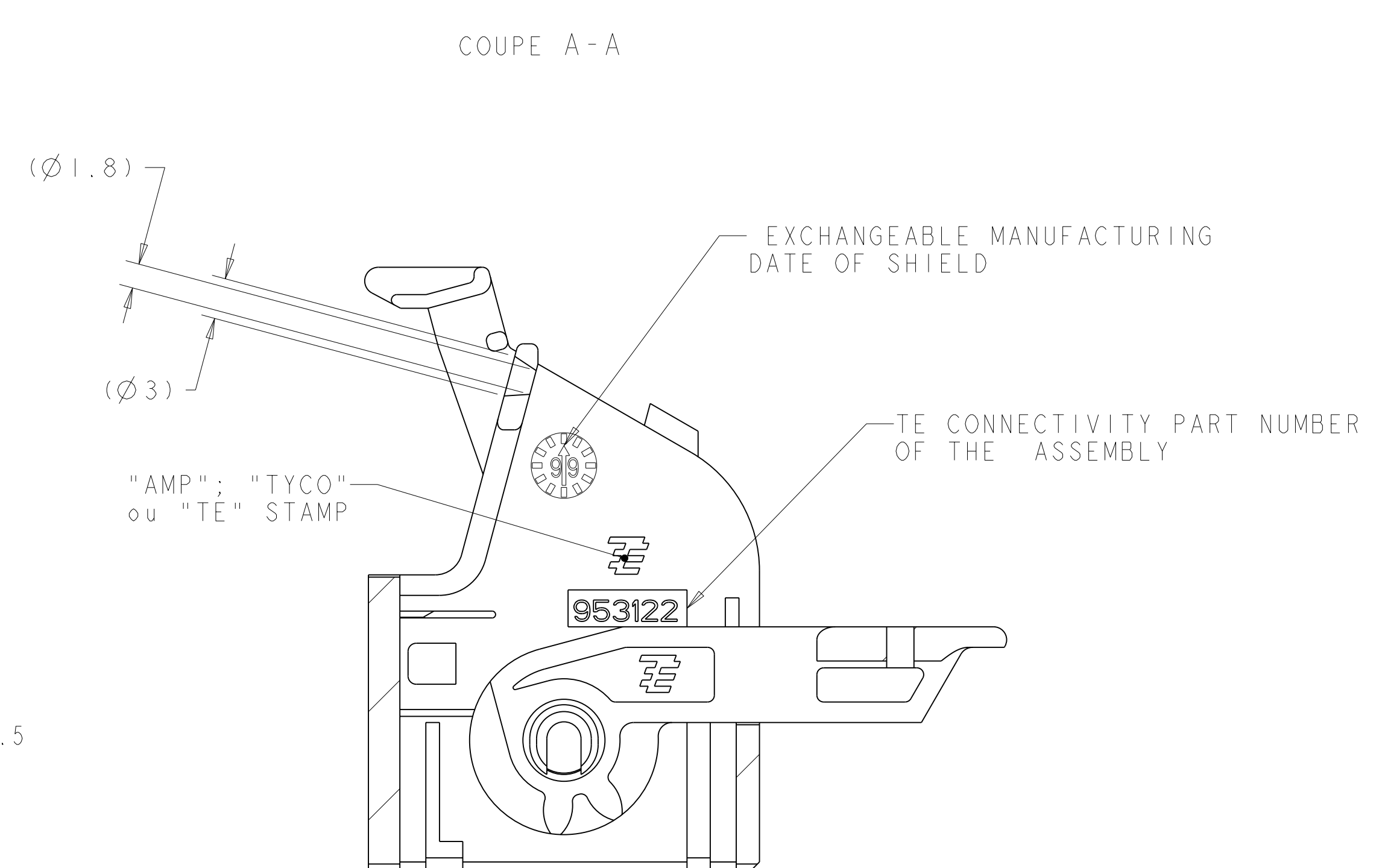
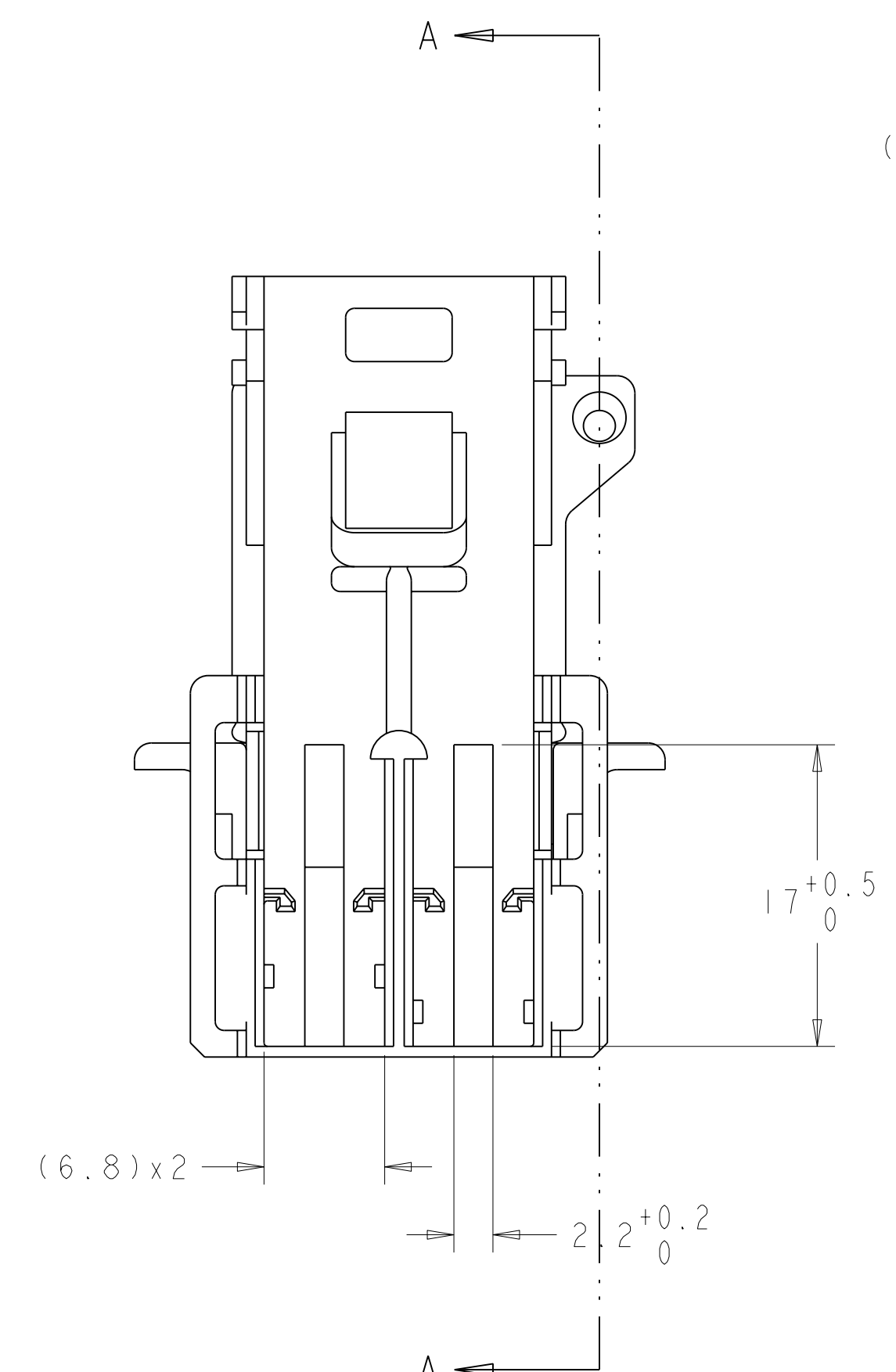
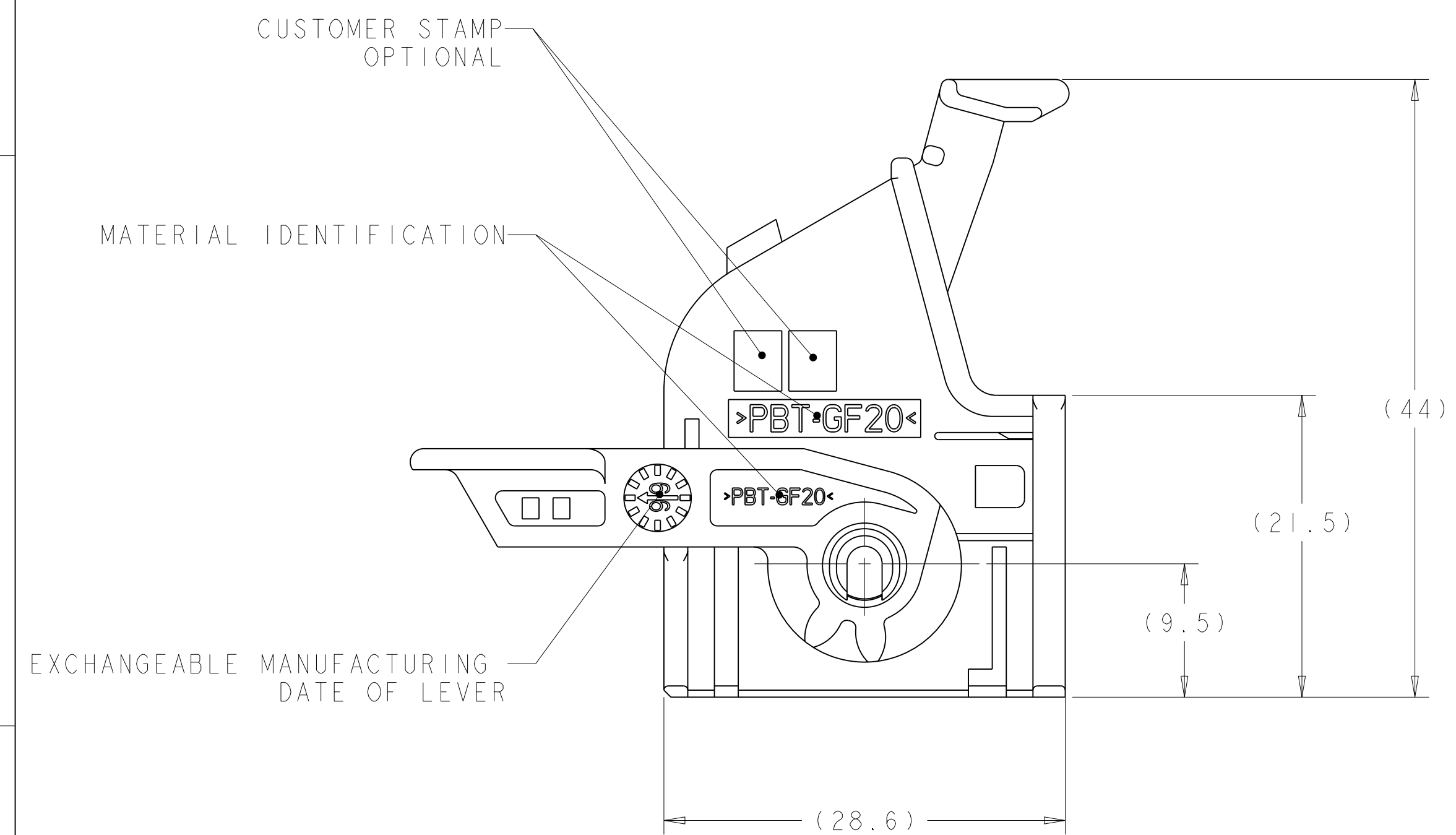
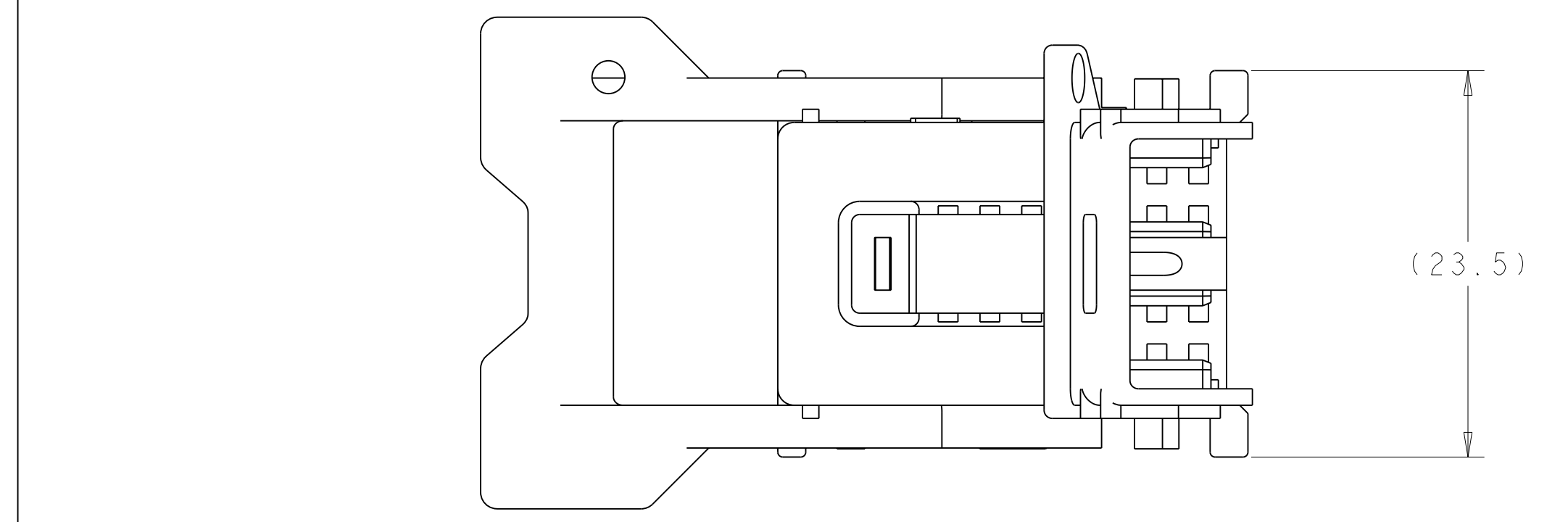


LOC		DIST		REVISIONS			
F	00	P	LTR	DESCRIPTION	DATE	DWN	APVD
		REV		MODIFICATIONS		DESS	APP
		A1		REVISED PER ECO-11-005150	28MAR2011	RK	HMR



Nota:
 PARKAGING FOLLOWING SPEC TE CONNECTIVITY: 107-18078 and 107-15368
 PART TO USE WITH:
 SOCKET HOUSING 20 WAYS BROWN REF 953119-3
 SOCKET HOUSING 20 WAYS GREEN REF 953119-1
 CONTACT MQS REF /144969-X; 1379418-X; 1379419-X
 NUMBER MAXI OF WIRE PERMITTED:
 40 WIRES SECTION 0.75mm² (Ø maxi insult 1.9mm)
 RECOMMANDATION SPEC: 411-15597

THIS DRAWING IS A CONTROLLED DOCUMENT. CE PLAN EST UN DOCUMENT CONTROLÉ PAR AMP INCORPORATED. IL EST INTERDIT DE LE REPRODUIRE, COMMUNIQUER OU SERVIR. TECHNIQUE D'IMP DE FRANCE POUR OBTENIR LA DERNIÈRE RÉVISION		DWN/DESSINE M. POLIFONTE 08FEB2005	NAME X. ROULLARD
DIMENSIONS: mm		CHK/VERIFIE J. DABIEZ 09FEB2005	APVD/APPROUVE J. DABIEZ 09FEB2005
TOLERANCES, UNLESS OTHERWISE SPECIFIED: TOLERANCES, SAUF AUTRES SPECIFIEES: DECIMALES: ±0.2		PRODUCT SPEC SPEC. PRODUCT 108-15178	APPLICATION SPEC SPEC. APPLICATION
MATERIAL MATIERE PBT GF 20	FINISH FINITION -	WEIGHT MASSE APPROX 8.9gr	RESTRICTED TO RESERVE A
CUSTOMER DRAWING		SIZE FORMAT A1	CAGE CODE NO. PLAN 100779
/PLAN CLIENT		DRAWING NO C=953122	UNIQUEMENT POUR REFERENCE
SCALE ECHELLE 2:1		SHEET FEUILLE 1	OF DE 2
REV A1			

LOC	DIST	REVISIONS						
F	00	P	LTR	REV	DESCRIPTION MODIFICATIONS	DATE	DWN BESS.	APVD APP.
					SEE SHEET 1			

953122-1	SHIELD	2	1	BLACK	PBT GF 20	<p>8.4 ± 0.1 ECHELLE 3:2</p>	953122-5	SHIELD	2	1	BLACK	PBT GF 20	<p>8.4 ± 0.1 2.7 +0.1 / -0.2 ECHELLE 3:2</p>
	LEVER	1	1	BLACK	PBT GF 20			LEVER	1	1	BLACK	PBT GF 20	
953122-2	SHIELD	2	1	GREY	PBT GF 20	<p>1.7 ± 0.1 11.2 ± 0.1 ECHELLE 3:2</p>	953122-6	SHIELD	2	1	GREY	PBT GF 20	<p>2.7 +0.1 / -0.2 1.7 ± 0.1 11.2 ± 0.1 ECHELLE 3:2</p>
	LEVER	1	1	BLACK	PBT GF 20			LEVER	1	1	BLACK	PBT GF 20	
953122-3	SHIELD	2	1	WITHE	PBT GF 20	<p>1.2 ± 0.1 1.7 ± 0.1 ECHELLE 3:2</p>	953122-7	SHIELD	2	1	WITHE	PBT GF 20	<p>2.7 +0.1 / -0.2 1.2 ± 0.1 1.7 ± 0.1 ECHELLE 3:2</p>
	LEVER	1	1	BLACK	PBT GF 20			LEVER	1	1	BLACK	PBT GF 20	
953122-4	SHIELD	2	1	BLUE	PBT GF 20	<p>5.6 ± 0.1 1.7 ± 0.1 ECHELLE 3:2</p>	953122-8	SHIELD	2	1	BLUE	PBT GF 20	<p>5.6 ± 0.1 2.7 +0.1 / -0.2 1.7 ± 0.1 ECHELLE 3:2</p>
	LEVER	1	1	BLACK	PBT GF 20			LEVER	1	1	BLACK	PBT GF 20	
TE CONNECTIVITY PART NUMBER	COMPONENT	Rep	Q.	COLOR	MATERIAL	CODING	TE CONNECTIVITY PART NUMBER	COMPONENT	Rep	Q.	COLOR	MATERIAL	CODING

THIS DRAWING IS A CONTROLLED DOCUMENT. CE PLAN EST UN DOCUMENT CONTROLÉ PAR APP INCORPORATED. IL EST INSÉPARABLE DE CE PLAN. CONSTATÉ LE SERVICE TECHNIQUE S'IL Y A CHANGEMENT DE RÉVISION.		DWN/BESSINE 08FEB2005 M. POLIFONTE CHK/VERIFIE 09FEB2005 X. ROUILLARD		TE Connectivity	
DIMENSIONS: mm		TOLERANCES, UNLESS OTHERWISE SPECIFIED: mm: ±0.2 mm: ±0.1 mm: ±0.05 mm: ±0.025 mm: ±0.015 mm: ±0.01 mm: ±0.005 mm: ±0.0025 mm: ±0.0015 mm: ±0.001		APVD APPROUVE 09FEB2005 J. DAHER PRODUCT SPEC. PRODUCT 108-15178 APPLICATION SPEC. APPLICATION	
MATERIAL MATIERE PBT GF 20		FINISH FINITION -		WEIGHT MASSE APPROX 8.9gr CUSTOMER DRAWING /PLAN CLIENT	
FORMA		SIZE CAGE CODE DRAWING NO. No. PLAN A1100779C-953122		RESTRICTED TO RESERVE A	
UNIFORMITY POUR REFERENCE		SCALE 2:1		SHEET FEUILLE 2 OF 2	